

AIR CONDITIONER ANTI-VIBRATION RUBBER SUPPORT BASES

空调外机橡胶底座



RUBBER MATERIAL

橡胶材质

WEATHER-RESISTANT, ANTI-CRACK,
LONG-LASTING DURABILITY
高耐候性能, 防开裂, 更持久耐用



BUILT-IN LEVEL GAUGE

自带水平仪

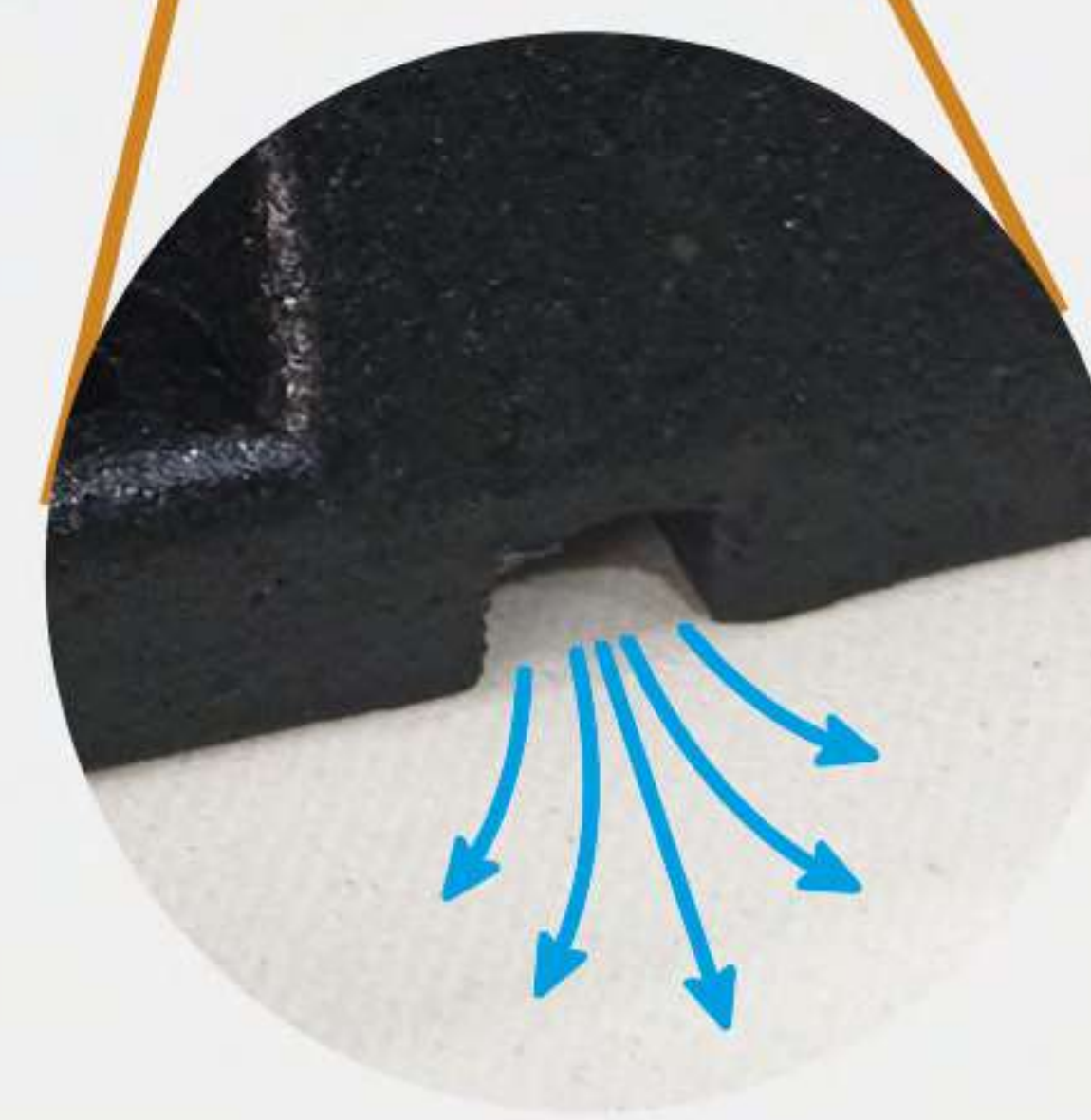
EASILY CHECK AND ADJUST
LEVELING
轻松观察以及调整水平



DACROMET SCREW

达克罗螺丝

STRONGER GRIP, RUSTPROOF AND
CORROSION-RESISTANT
更牢固, 防腐耐锈不脱落



DRAIN HOLES AT BASE

底部排水孔

ALLOWS RAINWATER AND
CONDENSATION TO FLOW OUT
积水、雨水都可以从缺口排出

ADVANTAGE 优势

SLEEK LOOK & LABOR-SAVING – A PERFECT REPLACEMENT FOR CONCRETE BLOCKS
美观省工, 完美替代水泥墩



EASY TO INSTALL
安装简单, 轻松上手



STABLE &
VIBRATION-REDUCING
稳固不晃, 减震降噪



RAISED BASE TO
PREVENT WATER DAMAGE
增高底座, 防止浸水



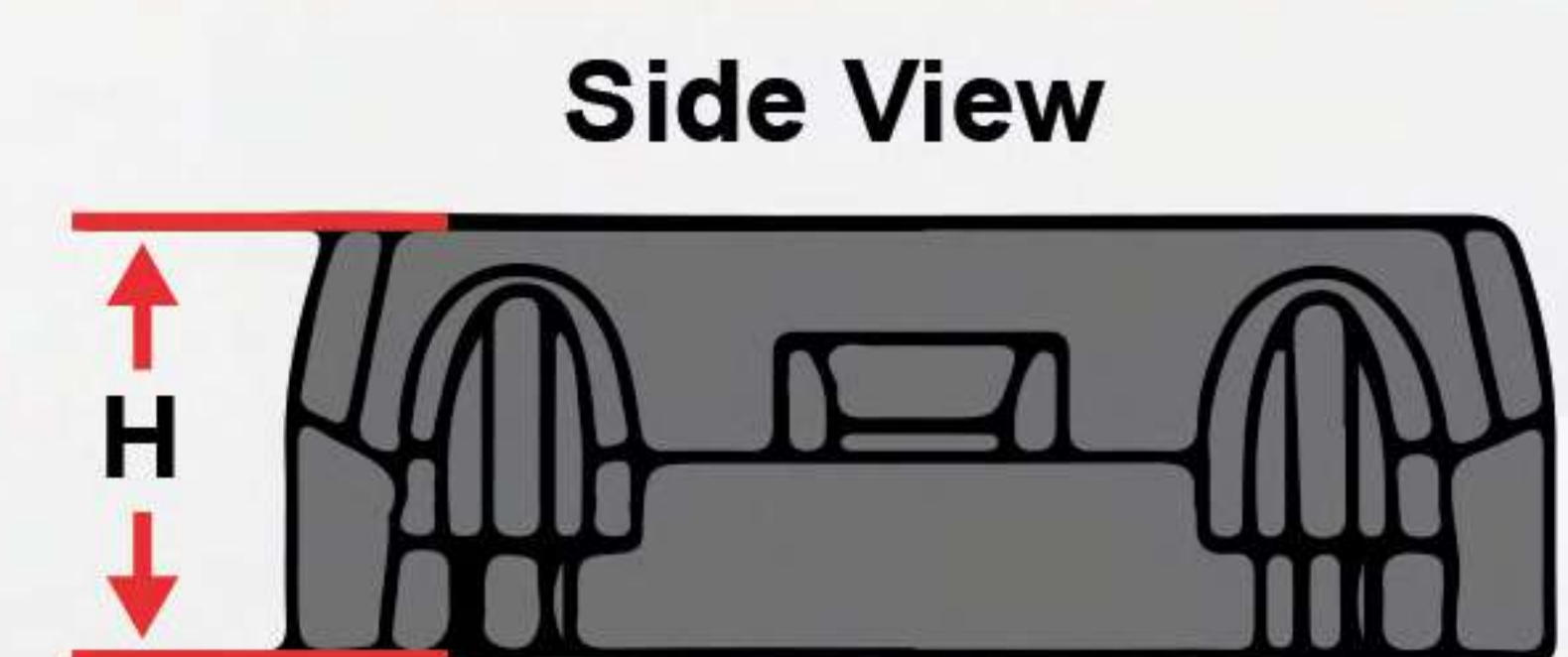
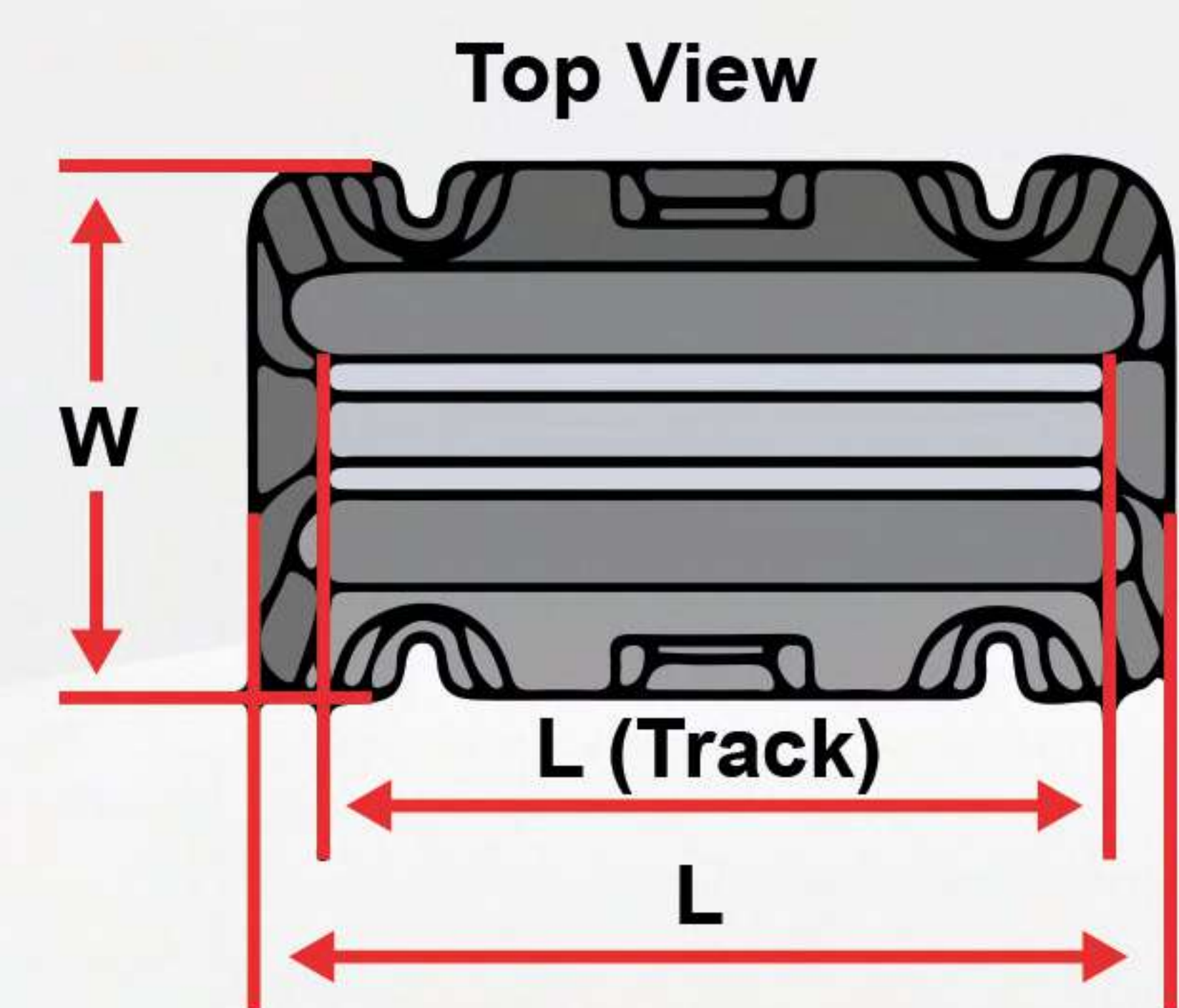
ANTI-RUST
SURFACE TREATMENT
氧化处理, 防止腐蚀

WORKS IN ALL ENVIRONMENTS 多场景适用

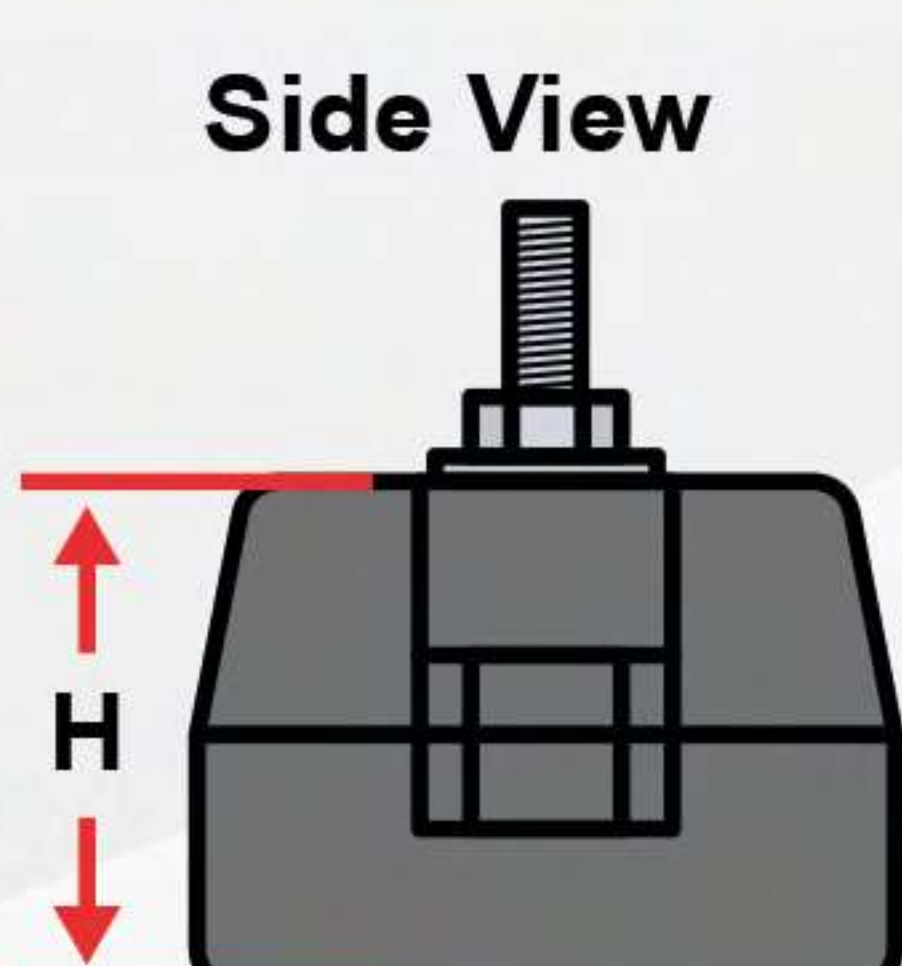
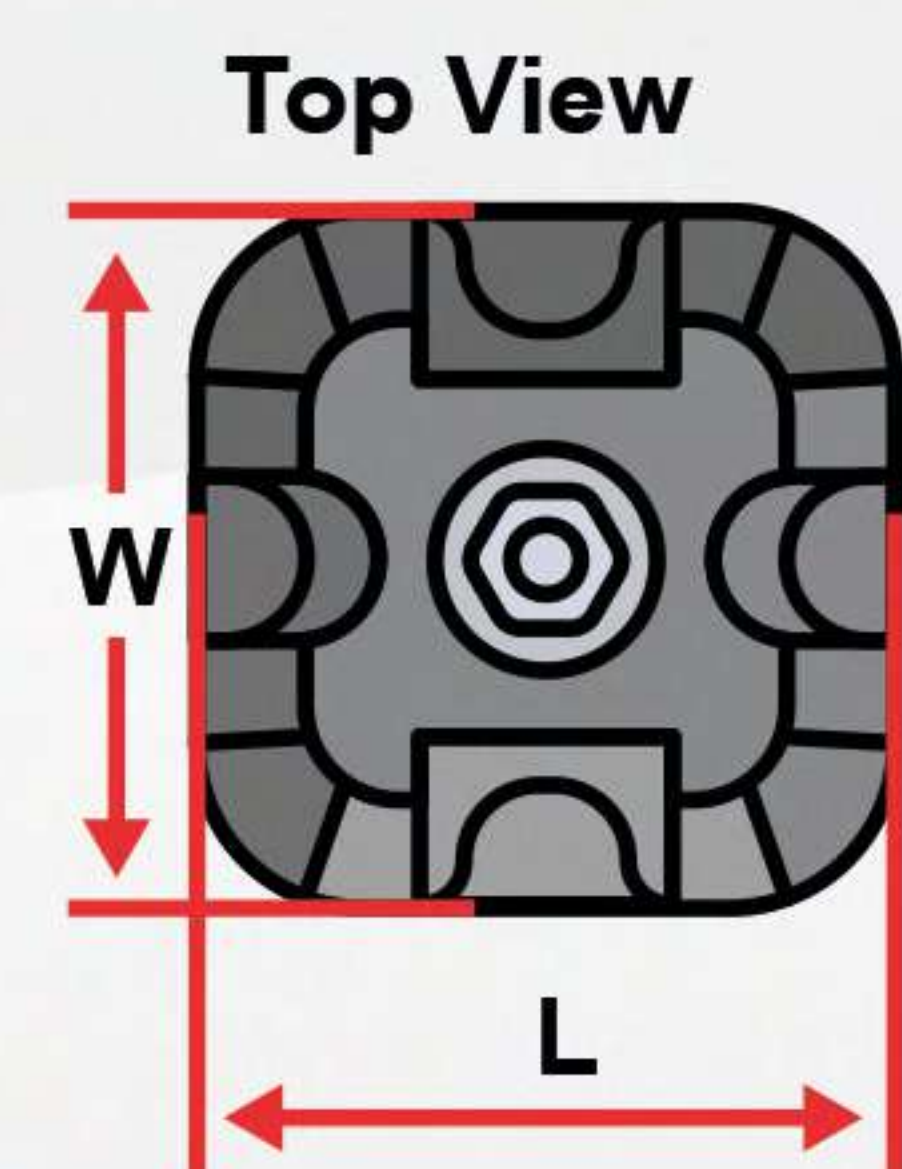
RELIABLE FROM -40°C TO 80°C 可用在-40°C-80°C的气候环境下使用



MODEL 型号



MODEL	L (MM)	W (MM)	H (MM)	L (TRACK) MM	WEIGHT (KG/SET)	MAX LOAD (KG/SET)	PCS/SET	ACCESSORIES
RBAH0250B	250	130	95	210	3.07	240	4	4 sets Screw + 8 pcs Level
RBAH0450B	450	130	95	410	5.56	280	2	4 sets Screw + 4 pcs Level
RBAH0600B	600	130	95	560	7.66	450	2	4 sets Screw + 4 pcs Level
RBAH1000B	1000	130	95	960	13.00	680	2	4 sets Screw + 4 pcs Level



MODEL	L (MM)	W (MM)	H (MM)	WEIGHT (KG/SET)	MAX LOAD (KG/SET)	PCS/SET	ACCESSORIES
RBAT0110B	110	110	67	2.35	180	4	4 sets Screws